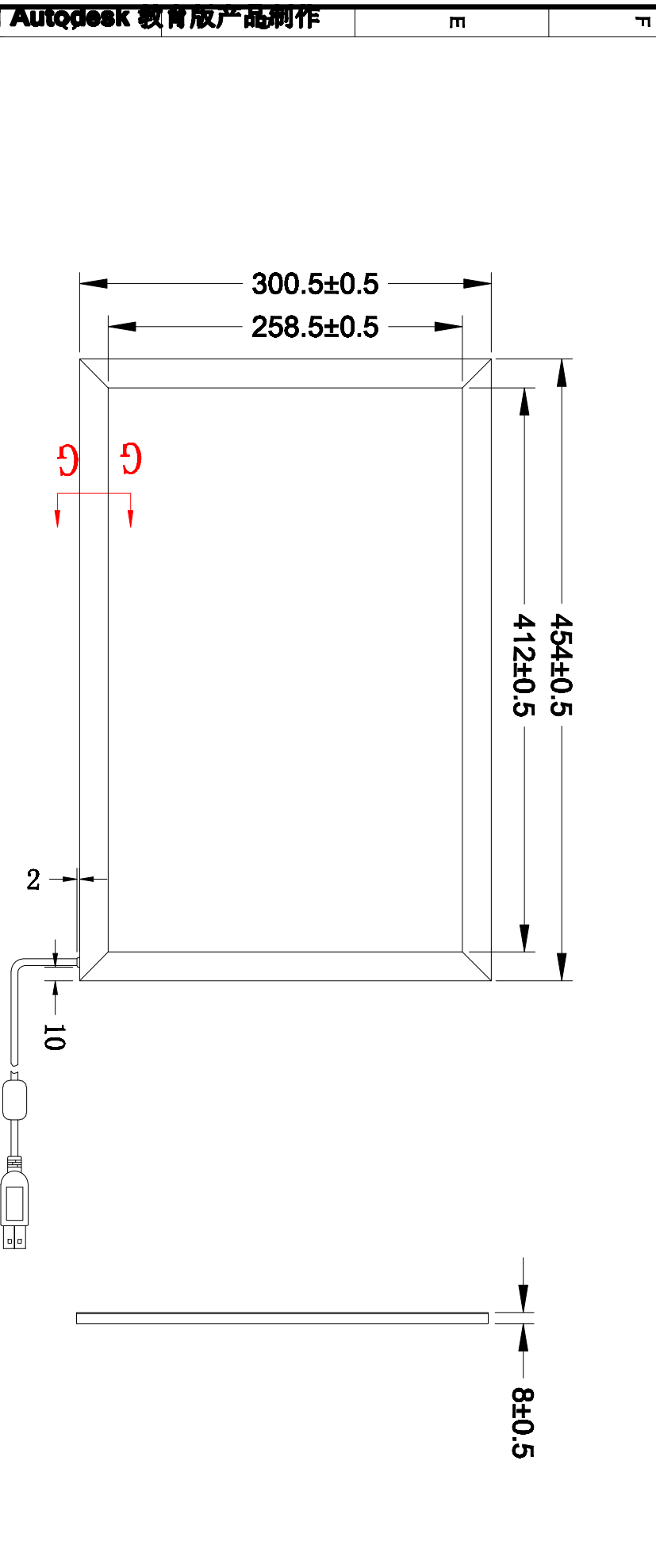
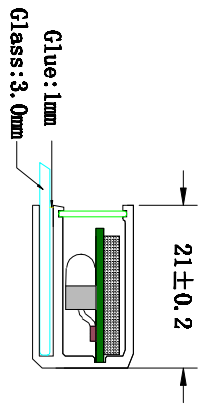


Version	Reasons for change	DATE	Design



G:G



TOOLERANCES
(UNLESS OTHERWISE STATED)
DECIMALS ANGLES

> 2500mm	±2.0mm	±0.5°
1500 < X ≤ 2500mm	±1.2mm	
1200 < X ≤ 1500mm	±1.0mm	
800 < X ≤ 1200mm	±0.5mm	
600 < X ≤ 800mm	±0.5mm	
100 < X ≤ 600mm	±0.2mm	
30 < X ≤ 100mm	±0.2mm	
≤ 30mm	±0.15mm	



格林触控 GreenTouch Technology Co., Ltd

Model No:	GT-IR-TKI90-2	Size:	19.0"
Ratio:	16:10	Unit:	mm
Design:	MR. LI	DATE:	2019.06.03
Scale:	1:1	Version:	A1
Page:	1/1		